

TECHNICAL DESIGN

ITALIAN ARTISAN[®]

MADE IN ITALY, MADE EASY



ITALIAN ARTISAN®
MADE IN ITALY, MADE EASY

Product Name:
BAG

Season:

Category:
ACCESSORIES

MOODBOARD

Pag. 2

MONFRINI

PELLAMI

CHARACTERISTICS :

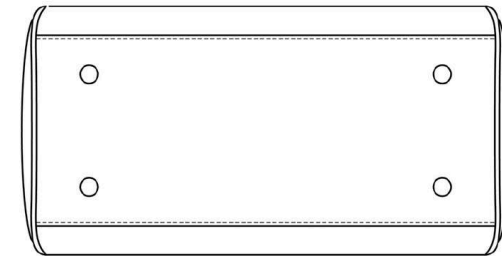
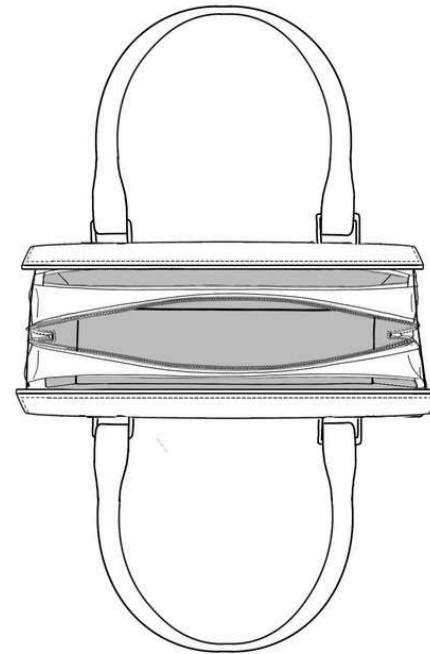
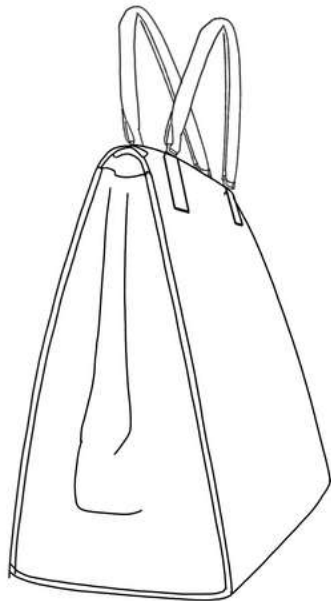
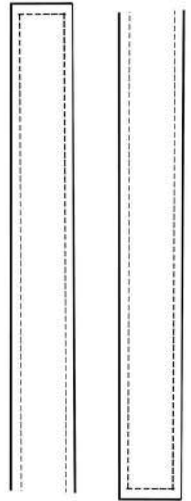
Cowhide skin, average size 2.0/2.5 m² x skin.
 Thickness 1.3/1.5 mm.
 Chrome tanning.
 For leathersgoods and footwear production.

STOCK SERVICE

Collection : **DOLLARINO**

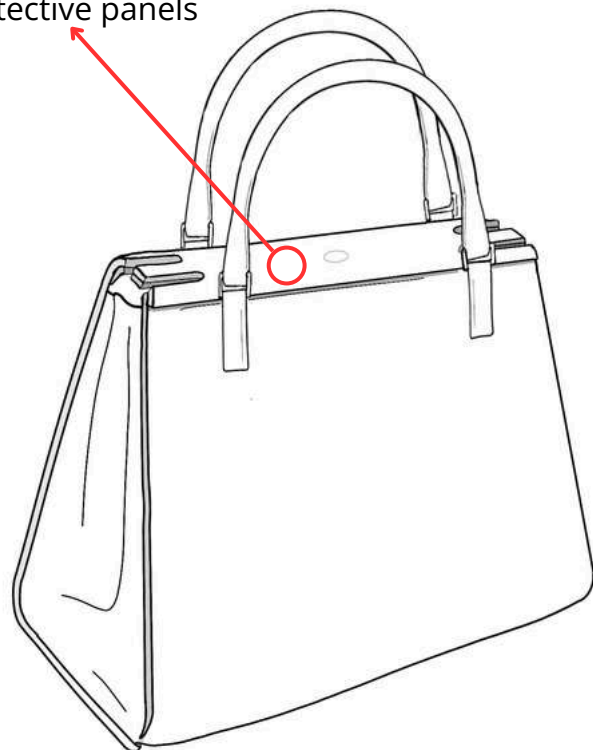


1 - technical design



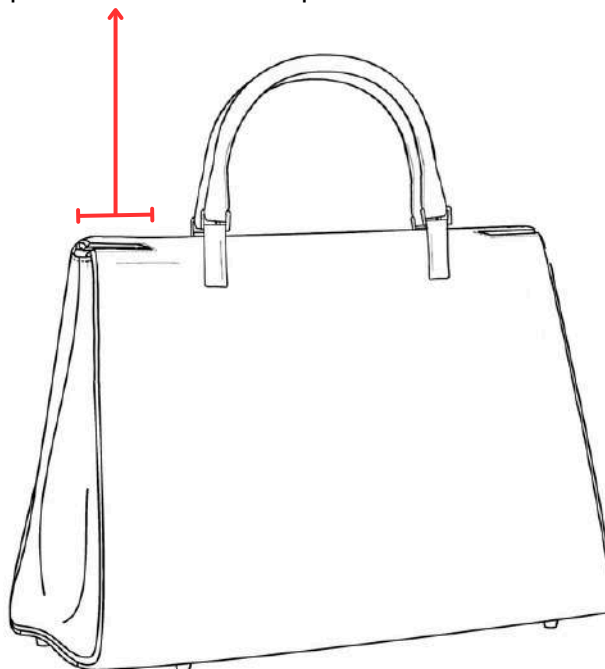
FRONT VIEW:

protective panels



Back view

gaps for shoulder straps



front view

NOTES

The upper part of the bag features small indentations on the protective panels that allow the shoulder straps to pass through without causing any imperfections.

MATERIALS AND TRIMS



EXTERNAL MATERIAL
 MATERIAL: Grain Leather
 COLOR: **Vacchetta Monfrini**



LINING: drop-in lining /page7
 MATERIAL: Cotton canvas
 COLOR: Organic white



TRIM - ZIP
 MATERIAL: Metal



COLOR: Gold



TRIM - PROTECTIVE FEETS
 MATERIAL: Metal
 COLOR: Gold



TRIM - HANDLE ATTACHMENT
 MATERIAL: Metal
 COLOR: Gold



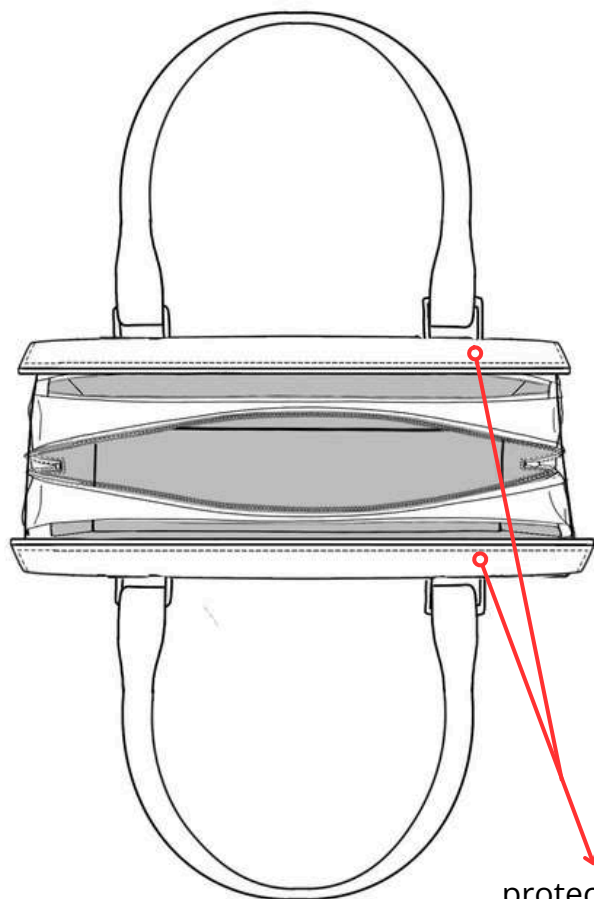
reference image for Handle attachment and trim

NOTES:

- When the bag is set down, handles fall to the sides
- Reinforced handles

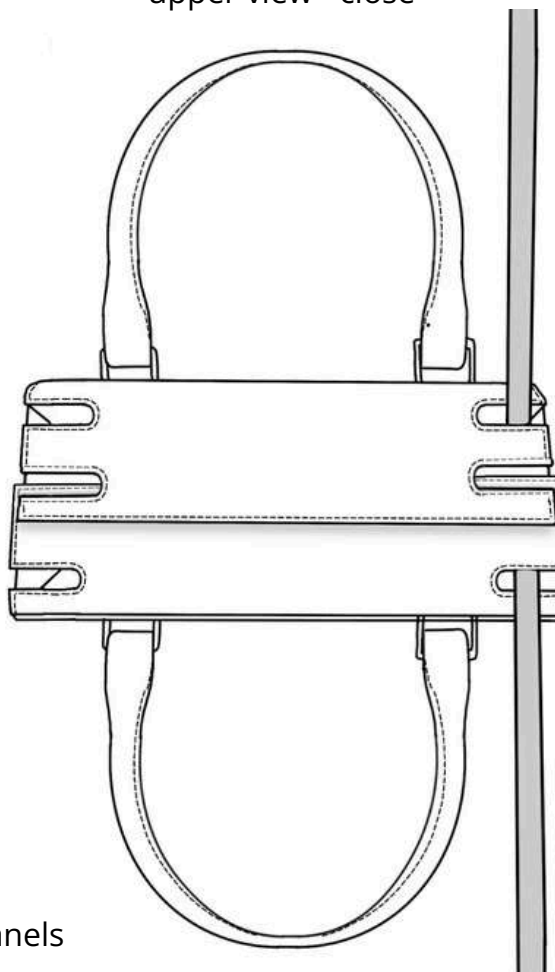
UPPER VIEW

upper view - open



protective panels

upper view - close



NOTES

The bag features three zippers on the opening. The side ones are solely related to the placement and concealment of the handle-shoulder straps. The central zipper is functional for the bag.

The protective panels overlap in the centre and close with a magnetic button

MATERIALS AND TRIMS



VACCHETTA

EXTERNAL MATERIAL

MATERIAL: Grain Leather
COLOR: **Vacchetta Monfrini**



LINING: drop-in lining /page7
MATERIAL: Cotton canvas

COLOR: Organic white



TRIM - ZIP
MATERIAL: Metal



COLOR: Gold



TRIM - PROTECTIVE FEETS

MATERIAL: Metal

COLOR: Gold

This drawing refers exclusively to the upper part of the bag; it do not consider the perspective of the entire bag.

DETAILS AND NOTES

ITALIAN ARTISAN®
MADE IN ITALY, MADE EASY

Product Name:
BAG

Season:

Category:
ACCESSORIES

UPPER VIEW

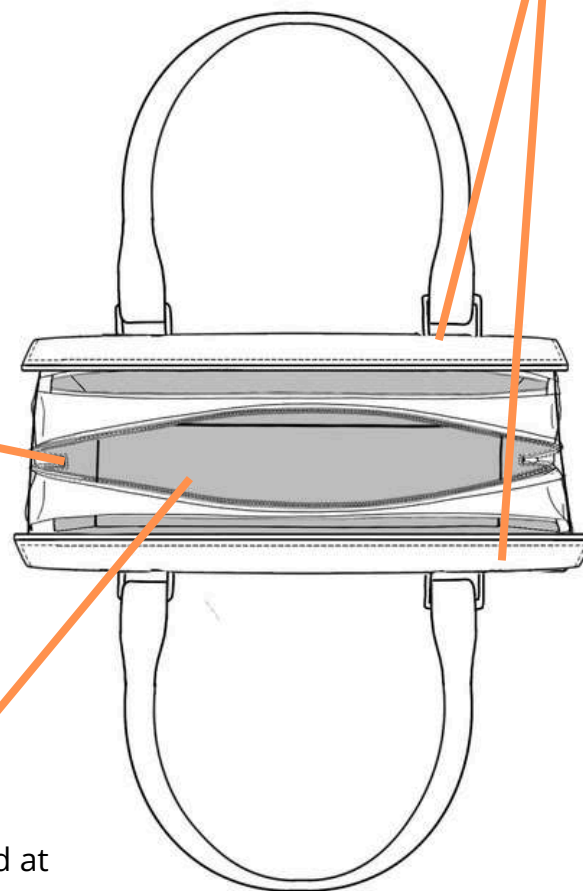
REFERENCE IMAGES AND DETAILS



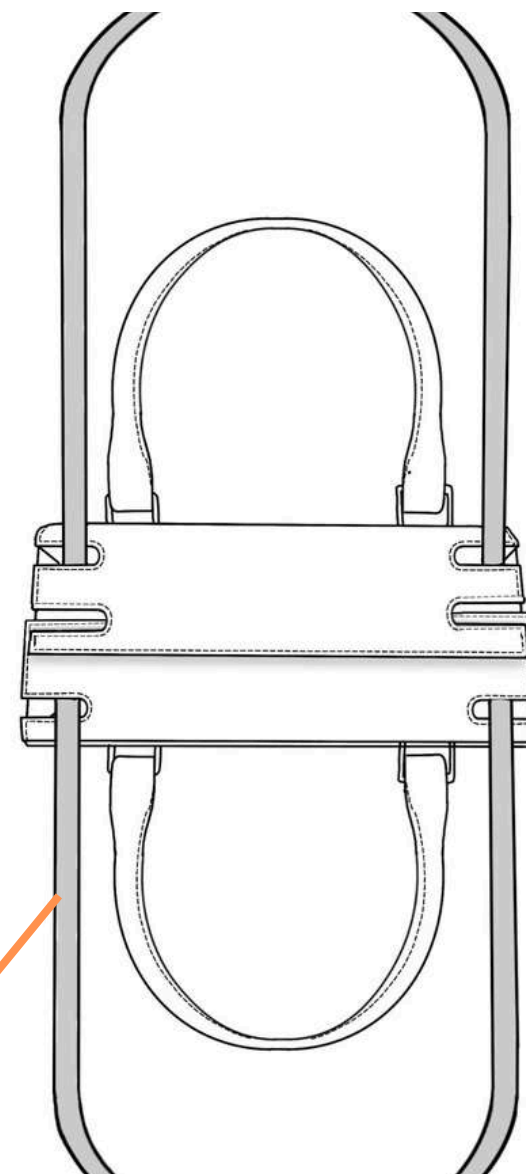
reference image for the zip
***no zip on the side pockets**

LINING:
Drop-in bag lining stitched at the top edge of the bag

flap protection + zip security closure



shoulder strap

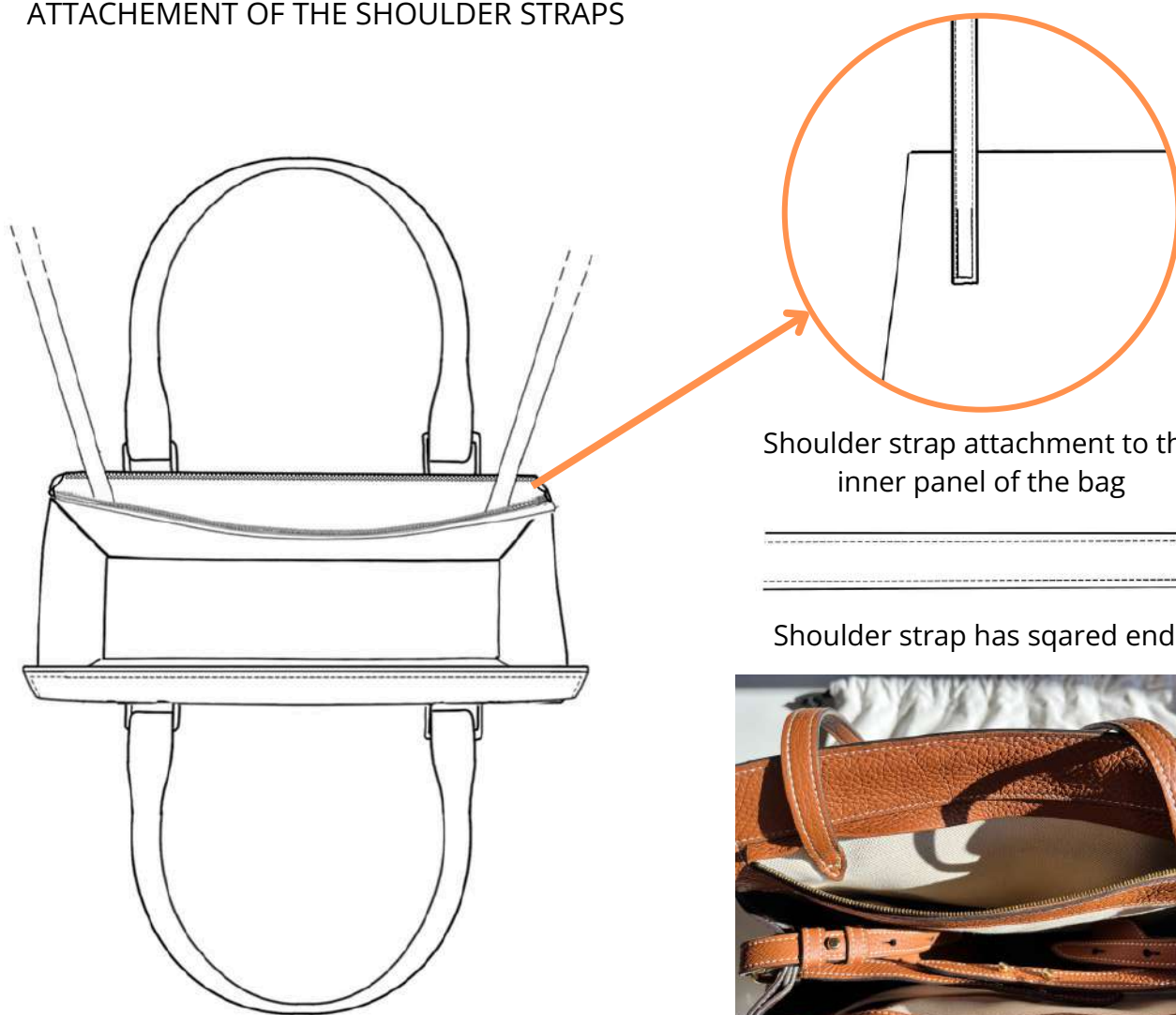


This drawing refers exclusively to the upper part of the bag; it do not consider the perspective of the entire bag.

ITALIAN ARTISAN® <small>MADE IN ITALY, MADE EASY</small>	Product Name: BAG	Season:	Category: ACCESSORIES	DETAILS AND NOTES	Pag. 7
---	----------------------	---------	--------------------------	-------------------	--------

UPPER VIEW

ATTACHEMENT OF THE SHOULDER STRAPS



Shoulder strap attachment to the inner panel of the bag



Shoulder strap has squared ends



Client's reference image

SHOULDER DROP: 25cm

The shoulder strap must not be adjustable and should be directly stitched to the side panel of the bag, on the inside.

STITCHINGS

VISIBLE STITCHINGS

MATERIAL: TBD

COLOR: Tone-on-tone



This drawing refers exclusively to the upper part of the bag; it do not consider the perspective of the entire bag.

SIDES VIEW



The shoulder strap pockets must be large enough to fit a laptop



NOTES

Front and back view of the bag.

MATERIALS AND TRIMS



EXTERNAL MATERIAL

MATERIAL: Grain Leather
COLOR: **Vacchetta Monfrini**



LINING: drop-in lining /page7

MATERIAL: Cotton canvas
COLOR: Organic white



TRIM - ZIP

MATERIAL: Metal



COLOR: Gold



TRIM - PROTECTIVE FEETS

MATERIAL: Metal

COLOR: Gold

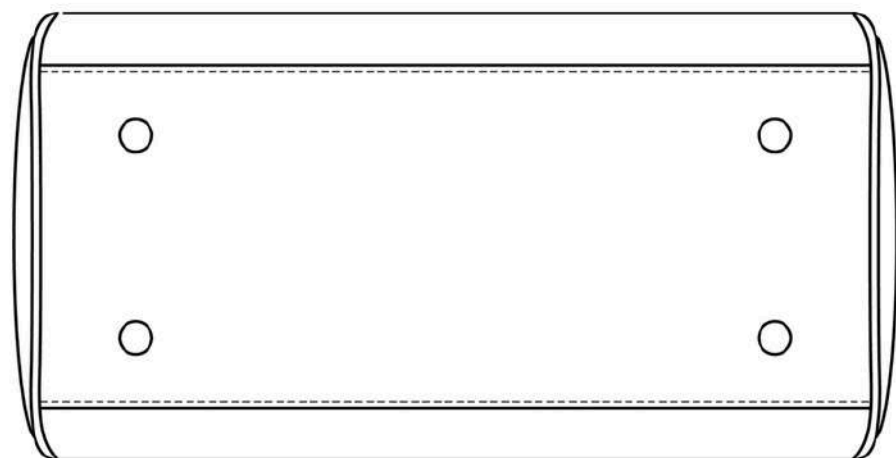


TRIM - HANDLE ATTACHMENT

MATERIAL: Metal

COLOR: Gold

BOTTOM VIEW



NOTES

Bottom view of the bag.

It features 4 circular golden protective feet

MATERIALS AND TRIMS



EXTERNAL MATERIAL

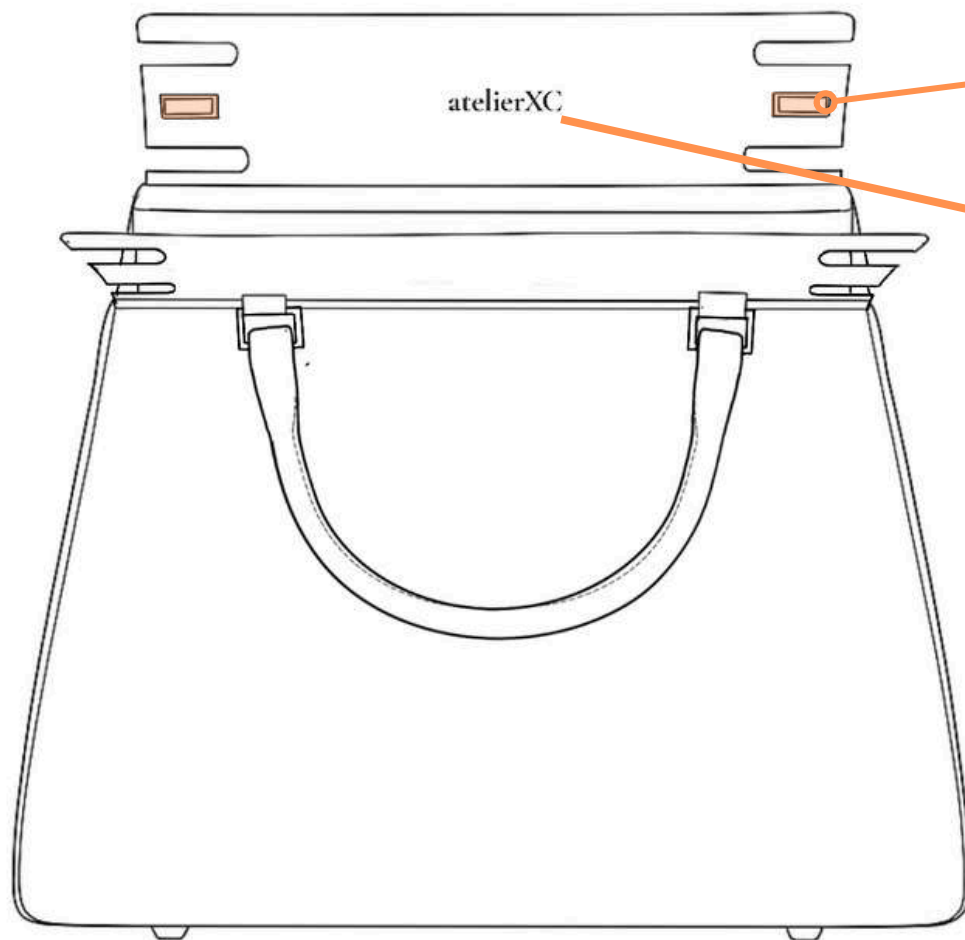
MATERIAL: Grain Leather
COLOR: **Vacchetta
Monfrini**



TRIM - PROTECTIVE FEETS

MATERIAL: Metal
COLOR: Gold

LOGO PLACEMENT



Side magnetic buttons

Logo placement:
Internal part of the closure flap -
hot-printed

NOTES

Hot-printed logo on the inner leather of the flap closure.

atelierXC

MATERIAL AND TRIMS RECAP AND REFERENCE DIMENSIONS FROM THE CLIENT

MATERIALS AND TRIMS

DIMENSIONS

- Top Width: 12.5" / 32cm
- Base Width: 13.75" / 35cm
- Height: 9.5" / 24cm
- Depth: 7" / 17.5cm
- Handle Drop: 4.75" / 12cm
- Adjustable Leather Strap Drop: 16.2~23.2" / 41~59cm
- Weight: 2.15 lb

What Fits: Up to a 13" Laptop (12 x 8.4")



EXTERNAL MATERIAL
 MATERIAL: Grain Leather
 COLOR: **Vacchetta Monfrini**



LINING: drop-in lining /page7
 MATERIAL: Cotton canvas
 COLOR: Organic white



TRIM - ZIP
 MATERIAL: Metal
 COLOR: Gold



TRIM - PROTECTIVE FEETS
 MATERIAL: Metal
 COLOR: Gold



TRIM - HANDLE ATTACHMENT
 MATERIAL: Metal
 COLOR: Gold



VISIBLE STITCHINGS
 MATERIAL: TBD
 COLOR: Tone-on-tone

The shoulder strap pockets must be large enough to fit a laptop

TECHNICAL DESIGN

ITALIAN ARTISAN[®]

MADE IN ITALY, MADE EASY