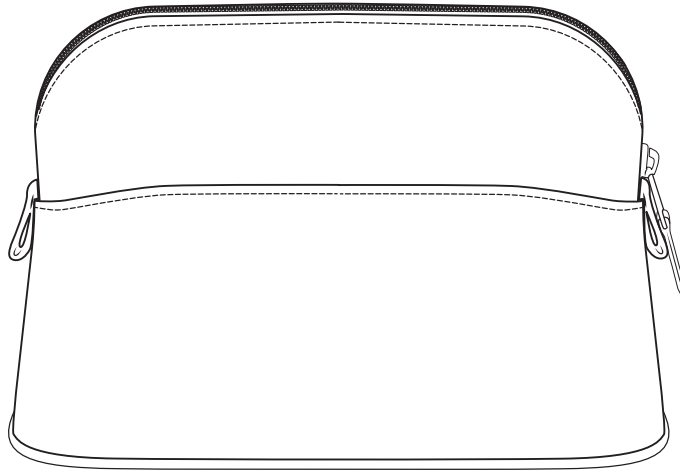
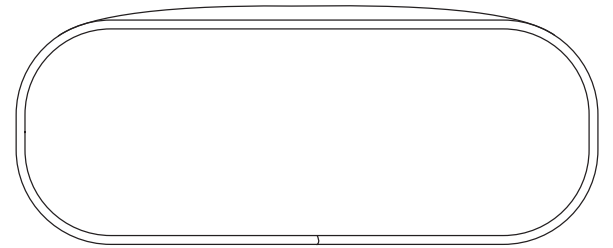
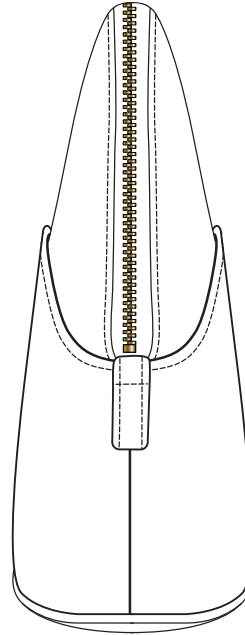
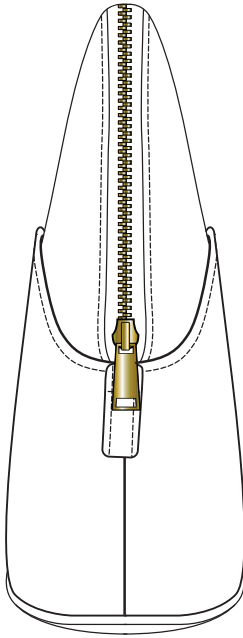


TECHNICAL DESIGN
BEAUTY CASE | PASSPORT CASE | BAG TAG

ITALIAN ARTISAN[®]

MADE IN ITALY, MADE EASY



Product Description:

Cotton canvas pochette in natural beige with a sturdy and firm base. The design features a cream leather border for added structure and elegance, complemented by a leather zipper pull that wraps seamlessly around the top of the bag. The interior fabric material is yet to be determined, but it will be made from high-quality and resistant materials to ensure durability and premium quality.

The front of the pochette is adorned with an embroidered logo, adding a personalized and refined touch.

Dimensions:

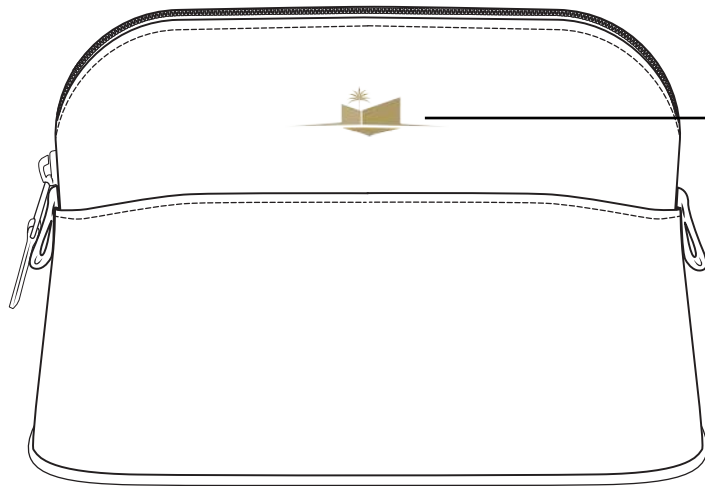
Base Length: 21 cm

Height: 14 cm

Width: 8 cm

This stylish and functional pochette combines timeless design with durable craftsmanship.

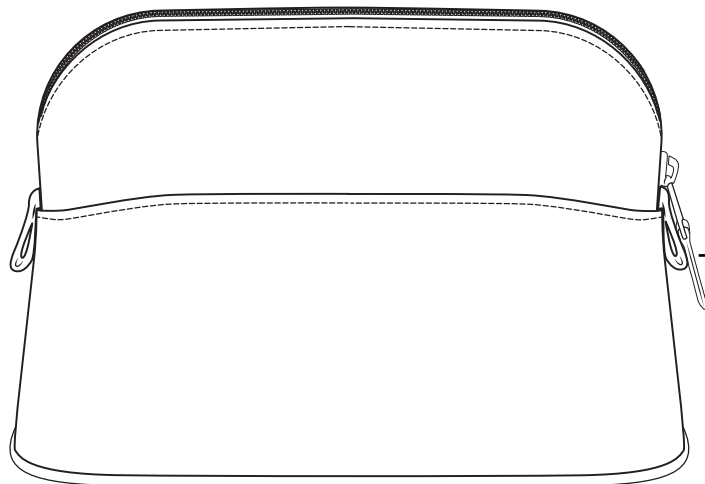
FRONT



Embroidery threads:
TBD tone on tone with the cream leather or gold

The exact color will be determined in collaboration with the manufacturer.

BACK



Zipper puller:
Leather rectangle, tone on tone with the bottom leather.



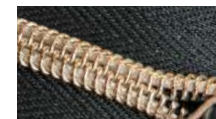
Leather : Grain cream leather



Fabric : Beige Natural 100% Cotton Canvas

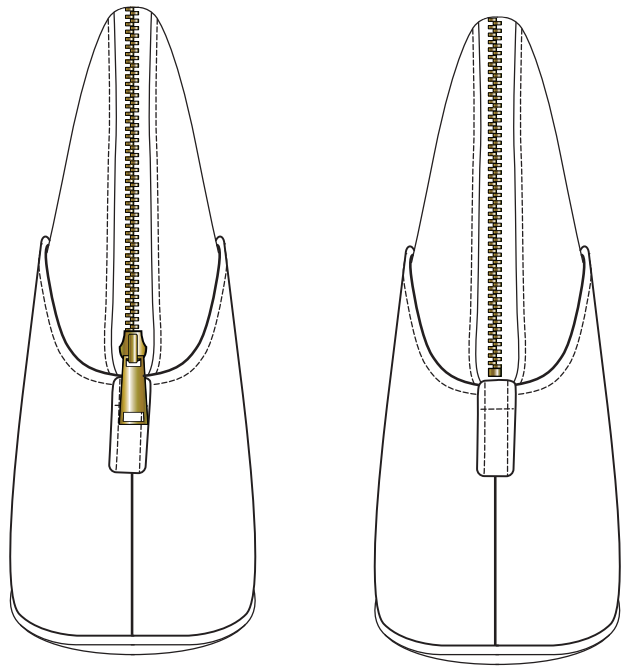


Threads stitches : Beige Natural - tone on tone with canvas



Zipper : Mate gold | bronze gold





RENDER



Product Description:

Cotton canvas pochette in natural beige with a sturdy and firm base. The design features a cream leather border for added structure and elegance, complemented by a leather zipper pull that wraps seamlessly around the top of the bag. The interior fabric material is yet to be determined, but it will be made from high-quality and resistant materials to ensure durability and premium quality.

The front of the pochette is adorned with an embroidered logo, adding a personalized and refined touch.

Dimensions:

Base Length: 21 cm

Height: 14 cm

Width: 8 cm

This stylish and functional pochette combines timeless design with durable craftsmanship.



Leather : Cream leather



Fabric : Beige Natural 100% Cotton Canvas

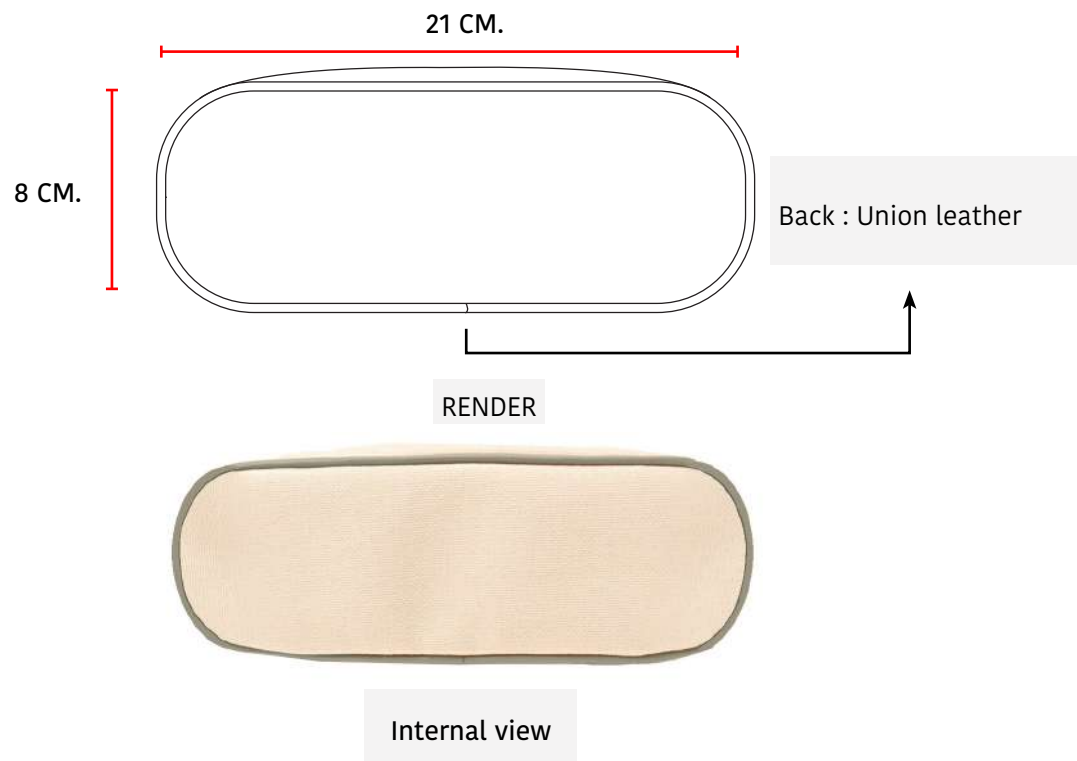


Threads stitches : Beige Natural - tone on tone with canvas



Zipper : Mate gold





Product Description:

Cotton canvas pochette in natural beige with a sturdy and firm base. The design features a cream leather border for added structure and elegance, complemented by a leather zipper pull that wraps seamlessly around the top of the bag. The interior fabric material is yet to be determined, but it will be made from high-quality and resistant materials to ensure durability and premium quality.

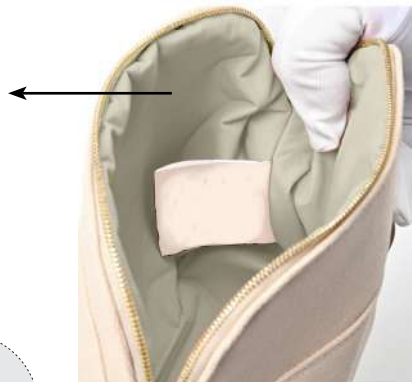
The front of the pochette is adorned with an embroidered logo, adding a personalized and refined touch.

Dimensions:

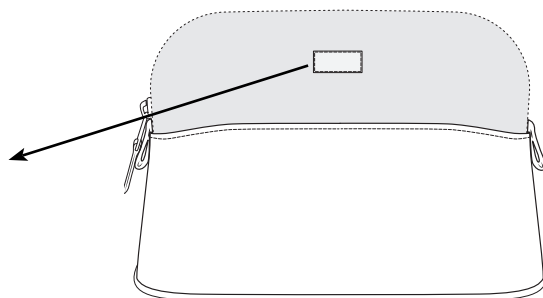
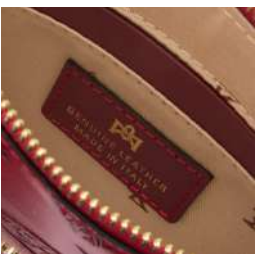
Base Length: 21 cm
 Height: 14 cm
 Width: 8 cm

This stylish and functional pochette combines timeless design with durable craftsmanship.

Fabric : Tone on tone with leather
 Composition : TBD
 The exact color will be determined in collaboration with the manufacturer.



Internal leather tag: LOGO | MADE IN ITALY



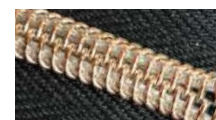
Leather : Cream leather



Fabric : Beige Natural 100% Cotton Canvas

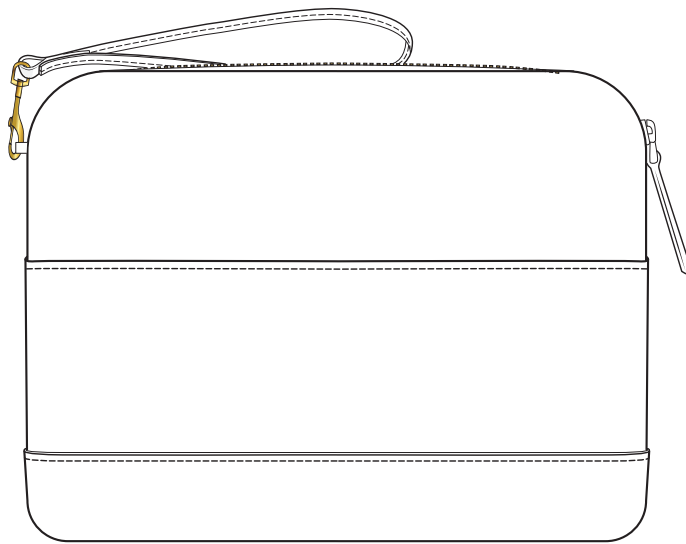
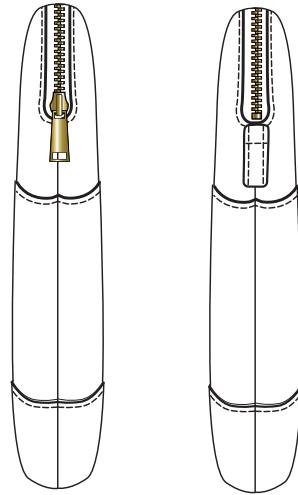


Threads stitches : Beige Natural - tone on tone with canvas



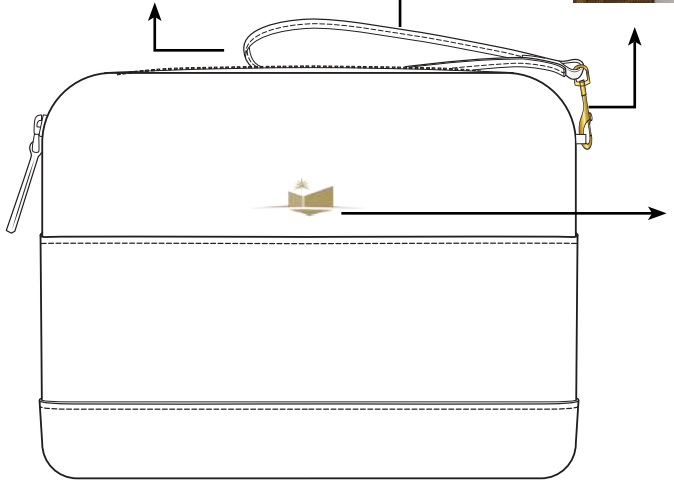
Zipper : Mate gold





Removable leather wrist strap.

Finishing strap reference.

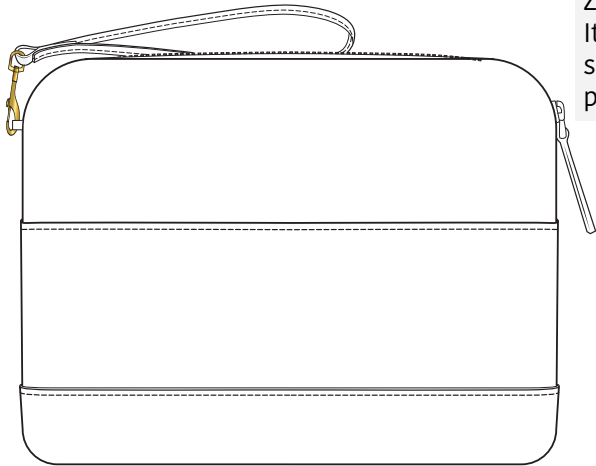


Embroidery threads:
TBD tone on tone with the cream leather or gold

The exact color will be determined in collaboration with the manufacturer.



Zipper puller: TBD
Its needed a research, see manufacturers proposals



Product Description:

This “Pochette II” it’s 100% canvas with a logo that can be embroidered or printed on leather (**TBD**). It is an elegant set consisting of a spacious zippered pochette.

Lining: Cotton | technical fabric | Silk

Leather: Grain calf leather

Interior Features:

1 flat pocket

1 large compartment

Accessories Included:

Pochette Dimensions:

28 x 21.5 x 3 cm (length x height x width)



Leather : **Cream leather**



Fabric : **Beige Natural 100% Cotton Canvas**

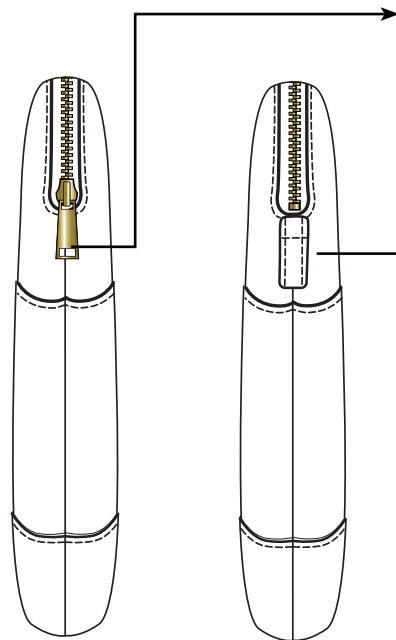


Threads stitches : Beige Natural - tone on tone with canvas



Zipper : **Mate gold**





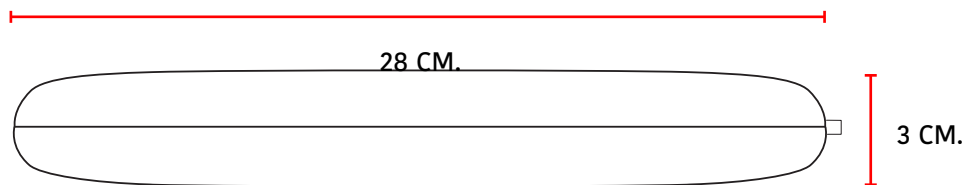
Zipper puller: **TBD**
 The exact zipper puller will be determined in collaboration with the manufacturer.



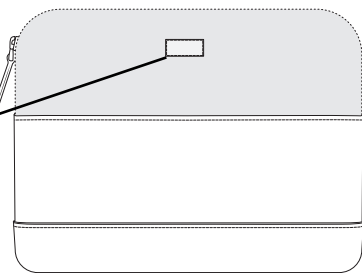
Loop for removable wrist strap.



BOTTOM VIEW



Internal leather tag: LOGO | MADE IN ITALY



Product Description:

This “Pochette II” it’s 100% canvas with a logo that can be embroidered or printed on leather (**TBD**). It is an elegant set consisting of a spacious zippered pochette.

Lining: Cotton | technical fabric | Silk

Leather: Grain calf leather

Interior Features:

1 flat pocket

1 large compartment

Accessories Included:

Pochette Dimensions:

28 x 21.5 x 3 cm (length x height x width)



Leather : **Cream leather**
 Base pochette II
 Removable wrist strap



Fabric : **Beige Natural 100% Cotton Canvas**



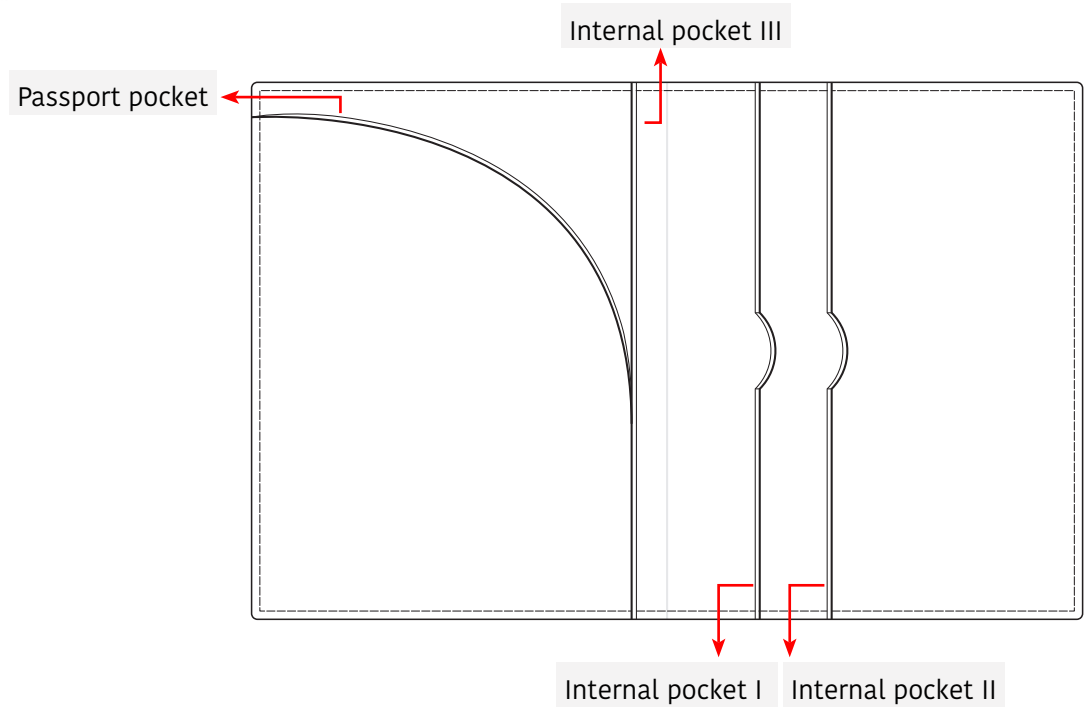
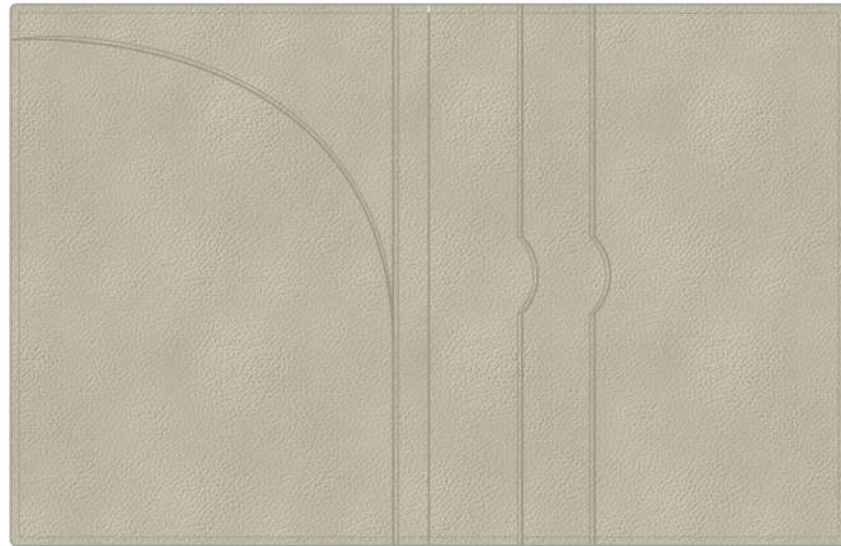
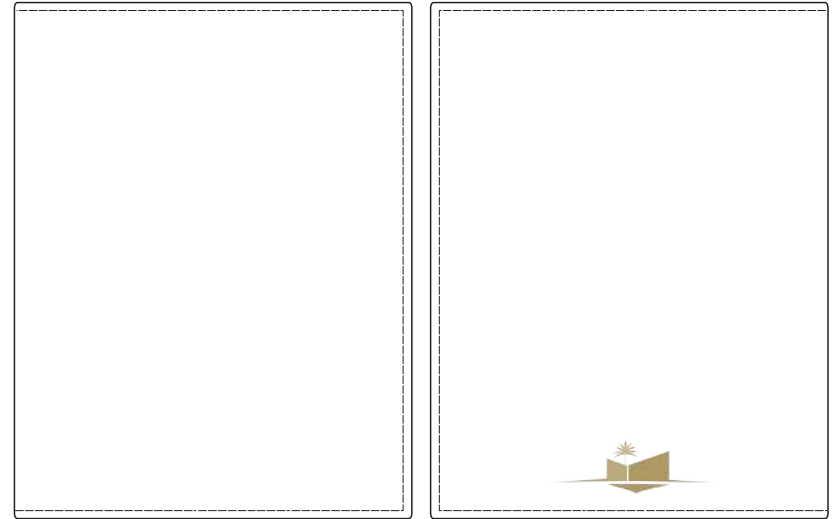
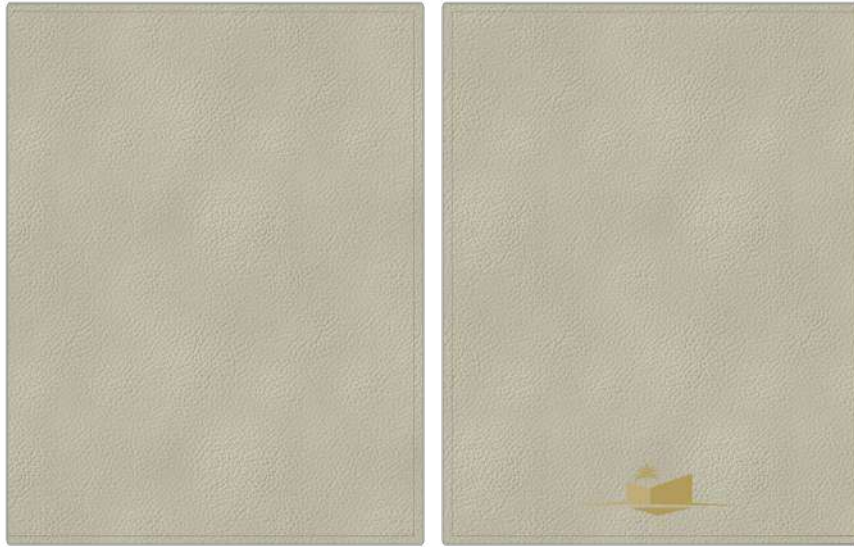
Threads stitches : Beige Natural - tone on tone with canvas



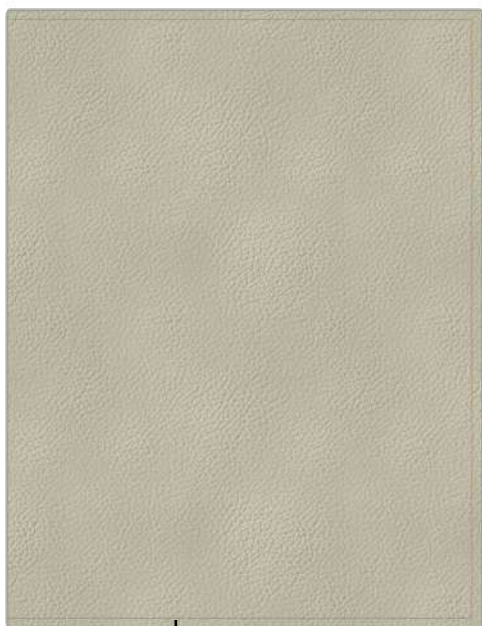
Zipper : Mate gold



Fabric : Tone on tone with leather
 Composition : TBD
 The exact color will be determined in collaboration with the manufacturer.



FRONT



BACK



Tone on tone stitch



Gold stamp



This elegant passport holder is crafted from premium pebbled calf leather, combining functionality and style.

Dimensions: 8 x 11 x 2 (TBD) cm

Interior Layout:

Right Side: Two card slots for convenient access to essentials

Left Side: One compartment for receipts and a dedicated passport compartment



Leather :

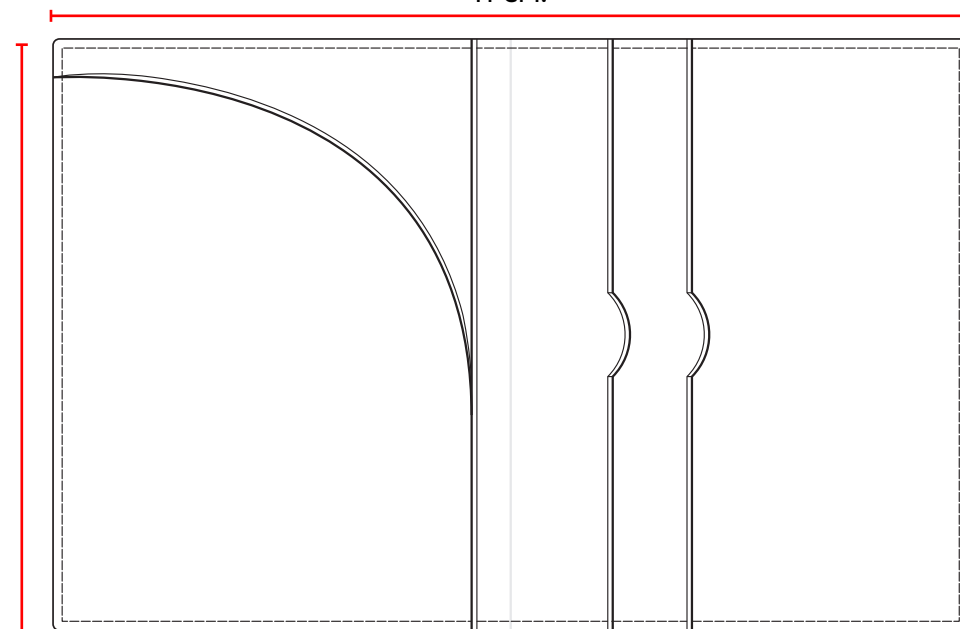
Cream leather

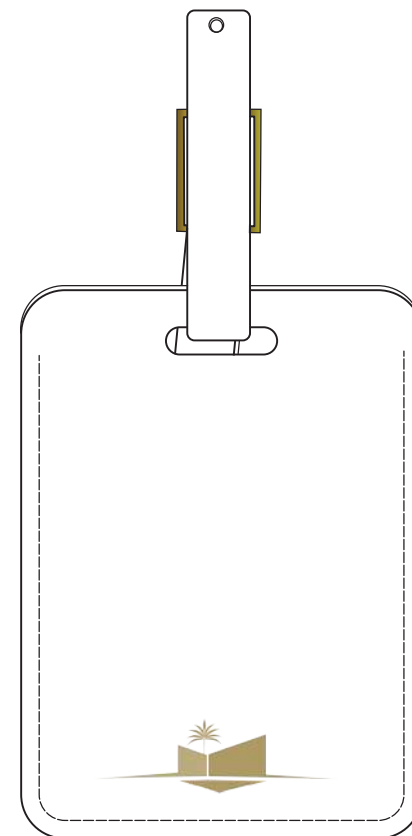
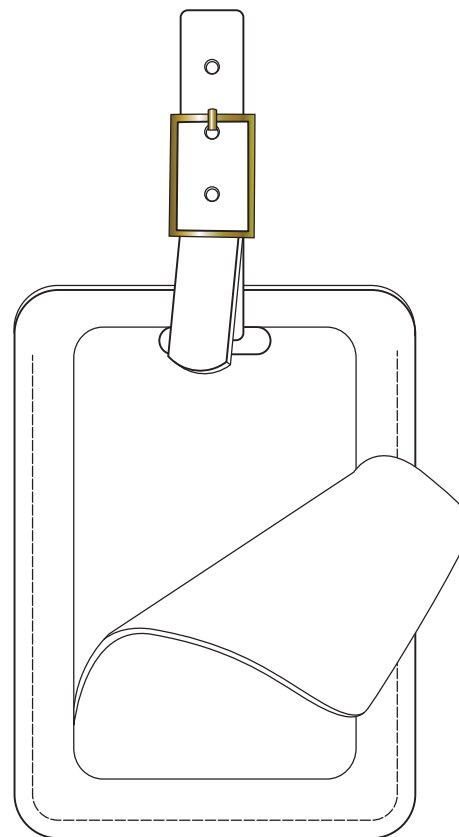
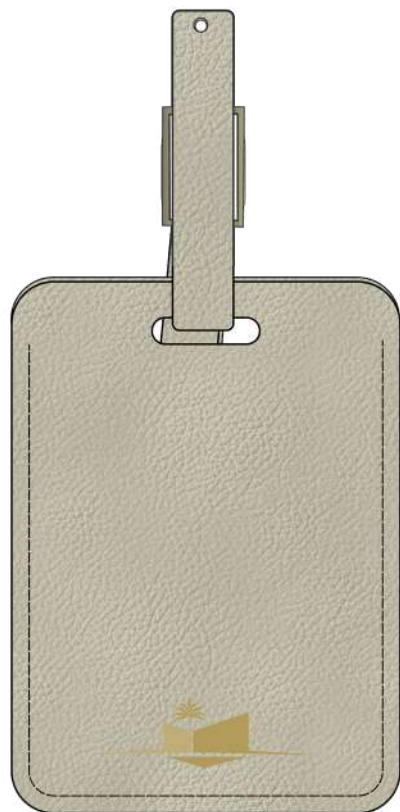
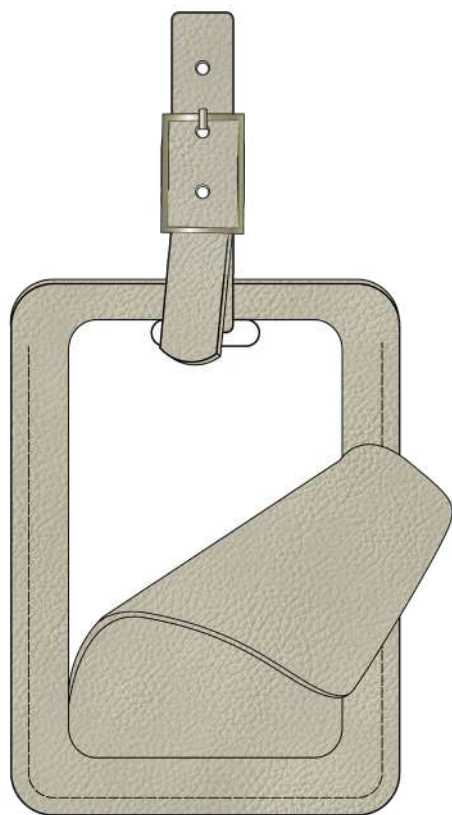
Base pochette II

Removable wrist strap

11 CM.

8 CM.





Material: 100% genuine leather in cream color

Dimensions:

Main body: 12.7 x 6.9 cm

Handle: Approx. 26 x 1.4 cm

FRONT

BACK

12,7 CM.

6,9 CM.

1,4 CM.

26 CM.



Leather :

Cream leather

Base pochette II
Removable wrist strap



PVC : **Waterproof protector | Plastic**

Transparent



Gold stamp



Buckle :

Mate gold **(TBD)**

MATERIALS

TRIMS

A hardware research is required to identify a zip closure that meets the design's aesthetic and quality standards.

Texture reference



Leather :

Cream calf skin leather



Color reference



Fabric :

Beige Natural 100% Cotton Canvas



Lining fabric : Tone on tone with leather

Composition : TBD

The exact color will be determined in collaboration with the manufacturer.



Zipper :

Mate gold



Zipper puller : Leather matching color with leather



Threads stitches :

Beige Natural - tone on tone with canvas



Buckle :

Mate gold (TBD)

Size :

TBD



Removable leather wrist strap :

Cream calf skin leather (TBD)

Size :

TBD



Strap hook :

Mate gold (TBD)

Size :

TBD

